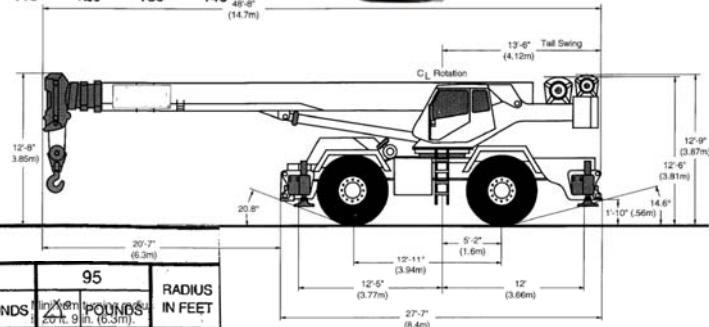


KG.	FRONT	REAR
44,535	22,725	21,810



POWERED BOOM LENGTH IN FEET															
RADIUS IN FEET	40.5		45		55		65		75		85		95		RADIUS IN FEET
	Δ°	POUNDS	Δ°	POUNDS	Δ°	POUNDS	Δ°	POUNDS	Δ°	POUNDS	Δ°	POUNDS	Δ°	POUNDS	
10	68	150000	71	102000	75	95000									10
12	65	116000	68	100000	73	94700	76	80500							12
15	60	92500	64	91700	69	89000	73	73500	76	61000					15
20	52	69600	56	69500	63	69000	68	64000	72	55700	74	48200	76	40000	20
25	41	55700	48	55200	57	54600	63	54000	68	48500	71	42200	73	38300	25
30	28	46400	38	46000	51	45300	58	45000	63	44500	67	39000	70	34000	30
35			25	36000	43	35800	52	35400	59	35000	63	33400	67	30200	35
40					34	28300	46	28000	54	27800	59	27200	64	26900	40
45					23	24800	40	25200	49	23100	55	22500	60	21900	45
50							32	20700	43	21000	51	21200	56	18900	50
55							21	17200	37	17500	44	17700	52	17800	55
60									30	14700	41	14900	48	15100	60
65									20	12400	35	12600	44	12800	65
70											28	10800	39	10900	70
75											19	9200	33	9400	75
80													27	8000	80
85													18	6800	85

